

Ls 902^R

Screening plant Recycling Edition



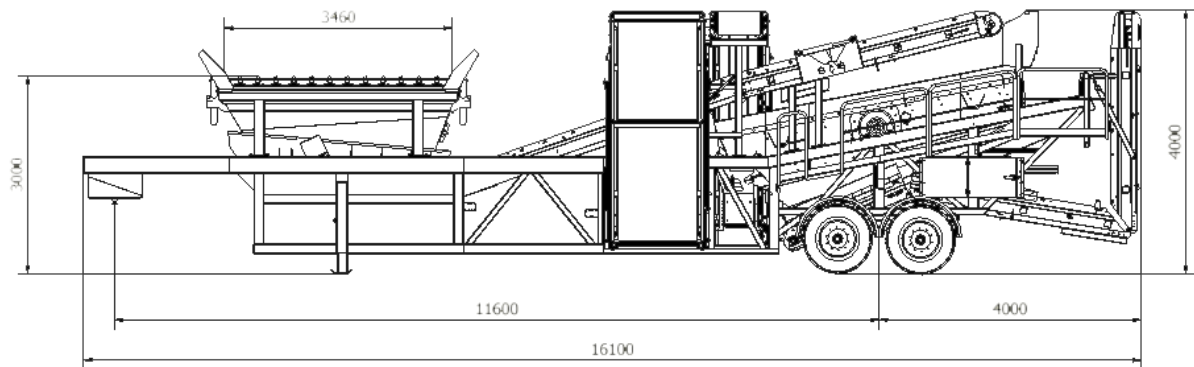
Popular Screening Plant now even more versatile

The Maskin Mekano mobile screening plant Ls 902 is a true success and a top-seller in Sweden. It is not surprising considering the rugged design and well thought-out solutions, of which the extremely low feed-in-height is the most eye-catching. But of course the excellent screening accuracy combined with the superior mobility is what makes the Ls 902 hard to beat. Now we proudly present the Ls 902 R- the recycling edition:

- Powerful vibrating feeder
- Feeding conveyor can be risen 90° to ease change of meshes
- More space in the chutes
- Surplus conveyor 1200 mm wide

The Ls 902 R is more powerful, sturdy and durable to make it more suitable for all kinds of recycling masses.

Maskin Mekano- your partner for productivity



Technical Specification Maskin Mekano Ls 902 R

<i>Transport Length</i>	16,0 m
<i>Transport Width</i>	3,0 m
<i>Transport Height</i>	4,0 m
<i>Machine Weight</i>	approx. 16,7 tonnes (not including Dieselgenerator set)
<i>Boggie pressure</i>	approx. 12,3 tonnes
<i>Screenbox</i>	STE 2-53. Screening surface 1.2x4.4 m on two decks Single axle mechanically controlled with 12 mm stroke 11° incline Electric motor 11.0 kW, 400 V
<i>Vibrating feeder</i>	Width 1100 mm Electric motor 2 x 2.3 kW
<i>Reject grid</i>	Standard distance between bars 180 mm, adjustable Hydraulic tipping, self cleaning
<i>Main conveyor</i>	Width 1200 mm Length 8.7 m Electric drum motor 5.5 kW
<i>Side conveyors</i>	Belt width 1200 / 650 mm Length 7.6 m Electric drum motor 4.0 / 3.0 kW
<i>Rear conveyor</i>	Belt width 1200 mm Length 8.3 m Electric drum motor 4.0 kW
<i>Electric equipment</i>	Distribution box with safety breaker, safety disconnection breaker, emergency stop, preregulator as well as extra motor socket. Power inlet with 125 A CEE-device
<i>Hydraulic equipment</i>	Hydraulic aggregate for setting up, folding of the conveyors and grid lift. Motor 4,0 kW
<i>Wheel- and towing device</i>	Bogie with brakes and plate spring. Wheel dimension 22,5/65/385, 10 bolt. Towing device, 2" kingping.