

maskin mekano **ECO6**

Vehicle repair and
maintenance information

Table of contents

Vehicle repair and maintenance information	2
Intended use	2
Checklist before production	2
Checklist before transport	2
Design	3
Identification	3
Registration	3
Inspection	3
Maintenance	3
Cleaning	4
Ingoing components	4
Tyre pressure.....	4
Wear parts	4
Repair	4
Diagnostic trouble codes	4
TPMS (Tyre pressure Monitoring System)	4
ABS (Anti-block Braking System)	4
Parts list.....	5
Axles	5
Brake system	5
Wheel and tyres	5
TPMS.....	5
Underrun protection	5
Coupling device	5
Lightning system.....	6
Appendix	7
Appendix 1 – Drawing ingoing components	7
Appendix 2 – Drawing lightning system.....	7
Appendix 3 – Drawing pneumatic schematic	7

Vehicle repair and maintenance information

This manual is valid for mobile screening plant/ vehicle kat O4

Make: Maskin Mekano

Type: ECO6

EU type approval number: e5*2018/858*00221*00

To be identified by manufacturers statutory plate on chassis right side, front.

Intended use

Right and left hand traffic.

Maximum speed 80 km/h.

Machine components in transport mode according to instruction material.

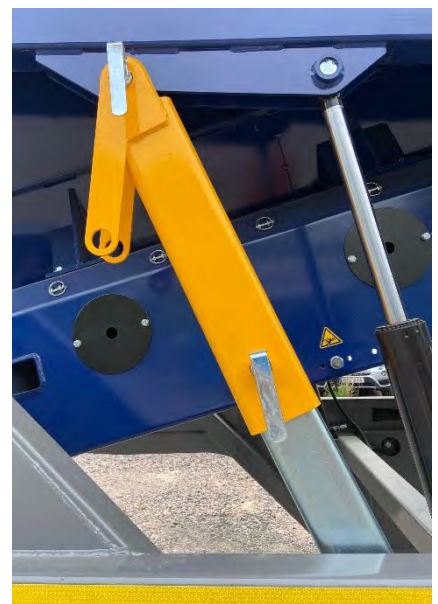
Checklist before production

- ✓ Parking brake shall be engaged.
- ✓ Support legs shall be folded down.
- ✓ Cover over rear underrun protection/lightning shall be folded down.

Checklist before transport



- ✓ Machine shall be emptied from loose material and properly cleaned. Especially lightning and signaling devices.
- ✓ Machine shall be folded to transport mode. Foldable parts shall be secured with pins.
- ✓ Cover over rear underrun protection/lightning shall be folded up and secured with pins.
- ✓ Every ingoing component and complete trailer shall be in roadworthy condition.



Design

Chassi designed by Maskin Mekano to function as vehicle and machine chassi.

Bodywork: Steel beam/steel. S355J2H/S355MCD. Painted, grey S6500-N.

Axles: Grey cast iron/steel. Spring leaf brakes.

Brakes: Pneumatic operated friction brake, drum brake. ABS system.

Parking braking system.

TPMS: Internal sensors inside tyres. Telematic box mounted between axles. Android app for monitoring.

Tyres and wheels:

Tyre size designation	Load-capacity index	Speed category symbol	Wheel rim size(s)	Wheel off-set(s)	Rolling resistance coefficient (RRC)
385/65R22.5	164	K	11.75	0	C3

Spray suppression system: Mudwing and antispray system.

Coupling device: Fifth wheel coupling pin. KingPin 2".

Rear and lateral underrun protection.

Lightning and signalling system.

See parts list and drawings for ingoing components.

Identification

Chassi serialnumber: Welded plate on chassi, in front. CNRxxxxx

Vehicle identification number (VIN): Pounced on chassi, right side in the front.
YW9ME990xx0059xxx

Registration

The trailer must be registered according to national legislation and be fitted with rear registration plate. The rear registration plate shall be mounted on plate frame on the rear underrun protection.

Inspection

The owner of the trailer is responsible for inspection being carried out according to national legislation.

Maintenance

Maintenance for ECO6 as a screening plant is handled in the manual that follows the machine.

Maintenance for ECO6 as a vehicle should be carried out according to this handbook and all related documentation available through web links or as attached documents.

Cleaning

Clean the vehicle regularly to prolong the life of components. Remove material and clean surfaces to protect components from being injured and to enable preventive maintenance. Repaint scratches to minimize rust.

Ingoing components

Maintenance of ingoing parts shall be carried out according to manufacturers instructions. See links to manufacturers web pages. See parts list for ingoing parts.

www.bpw.de/support

Tyre pressure

Recommended tyre pressure (kPa): 8,5

Wear parts

Replace damaged and worn out parts to keep the vehicle in roadworthy condition.

See parts list.

Repair

Reparations shall be done by the manufacturer, retailer or qualified mechanic.

Diagnostic trouble codes

TPMS (Tyre pressure Monitoring System)

<https://www.idemtelematics.com/en/company/downloads.html>

ABS (Anti-block Braking System)

[WABCO Customer Centre - Your New Inform Catalog / International \(wabco-customercentre.com\)](http://WABCO Customer Centre - Your New Inform Catalog / International (wabco-customercentre.com))

Parts list

Axles

Make	Type
BPW	BPW trailer axle HSFVB 2/11810-17 M ECO Plus. *

*Tandem axle suspension. 1 Axle for ABS, with sensors.

Brake system

Part	Make	Type
Brake	BPW	SN 4220 ECO Drum
ABS system	WABCO	VCS-2

Wheel and tyres

Part	Make	Type
Hjul	Goodyear	385/65R 22.5 Ultra grip max T HL TL 164K
Mudguard	Parlok	SUPRA
Antispray-system	AUSTI	Sprayflex

TPMS

Part	Make	
TC Trailer Gateway Basic	Idem Telematics	
Tirecheck TPMS RIM sensor	Idem Telematics	
Tirecheck TPMS sensor tension band	Idem Telematics	
Basic Telematics cable	Idem Telematics	

Underrun protection

Position	Make	Type
Rear	ERMAX	0168609
Side	Maskin Mekano	25704

Coupling device

Part	Make	Type
King pin 2"	JOST	KZ10

Lightning system

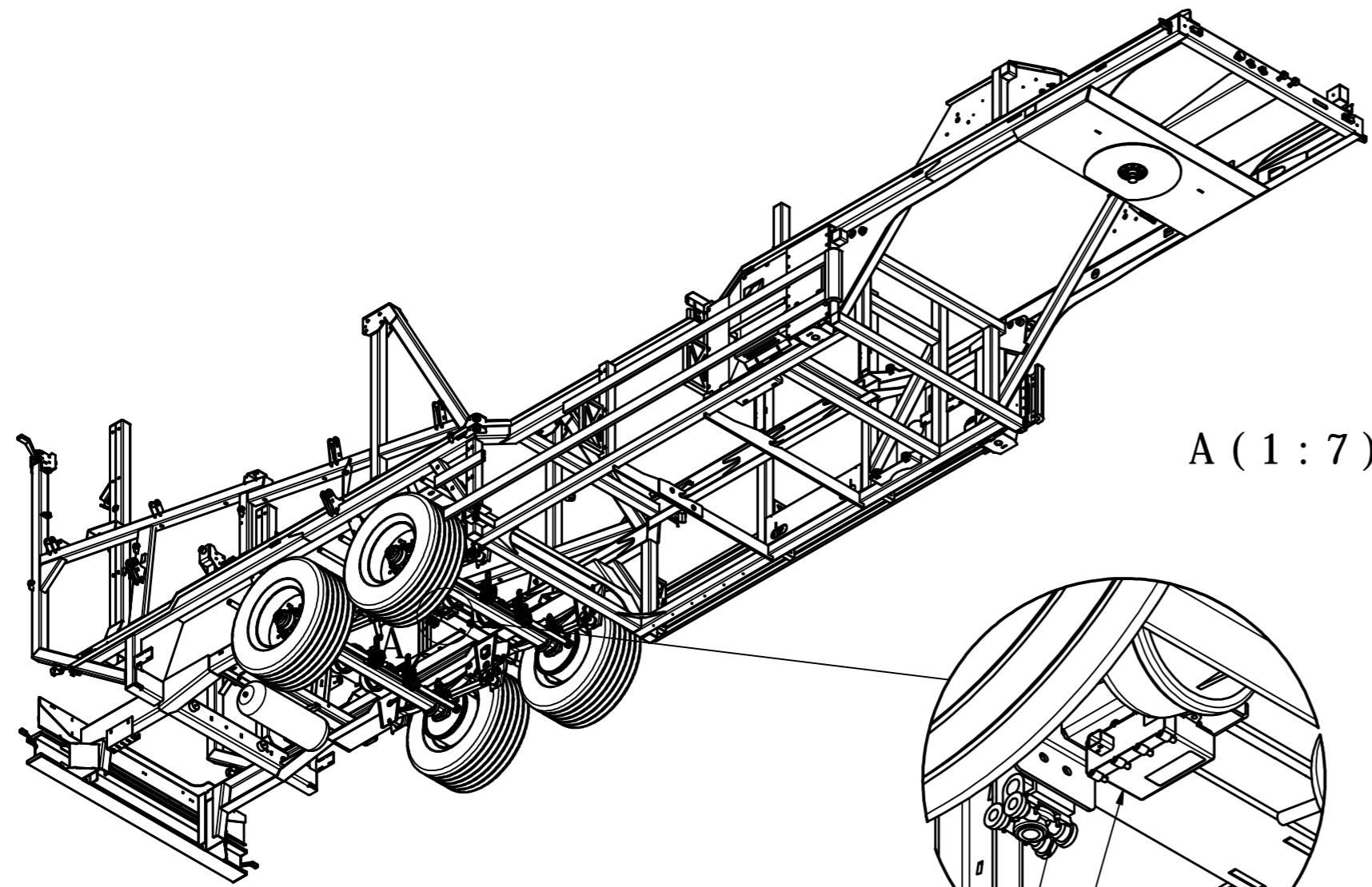
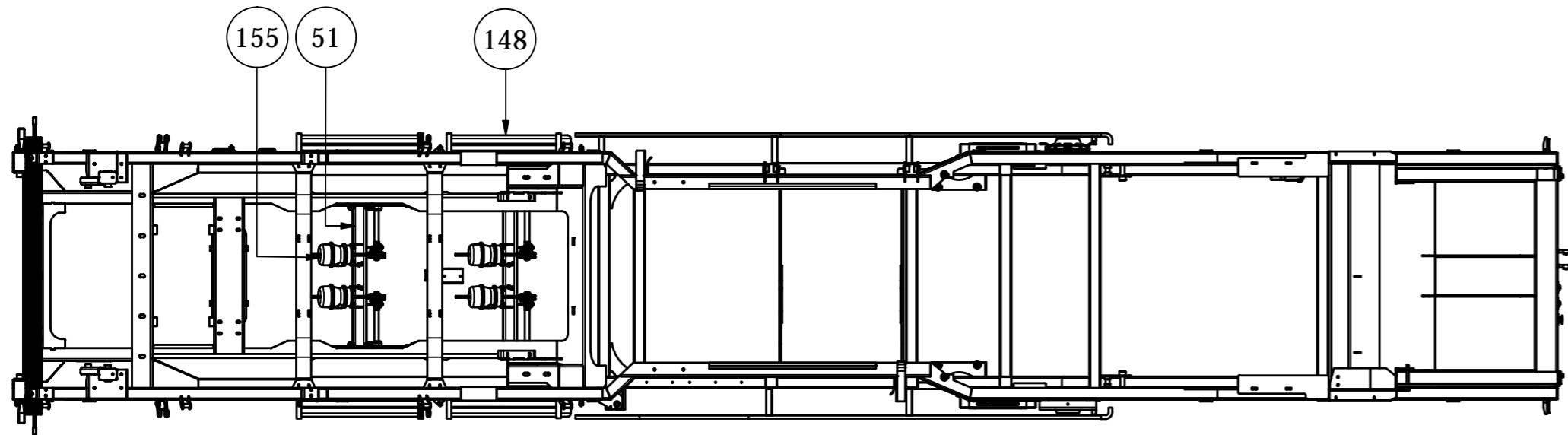
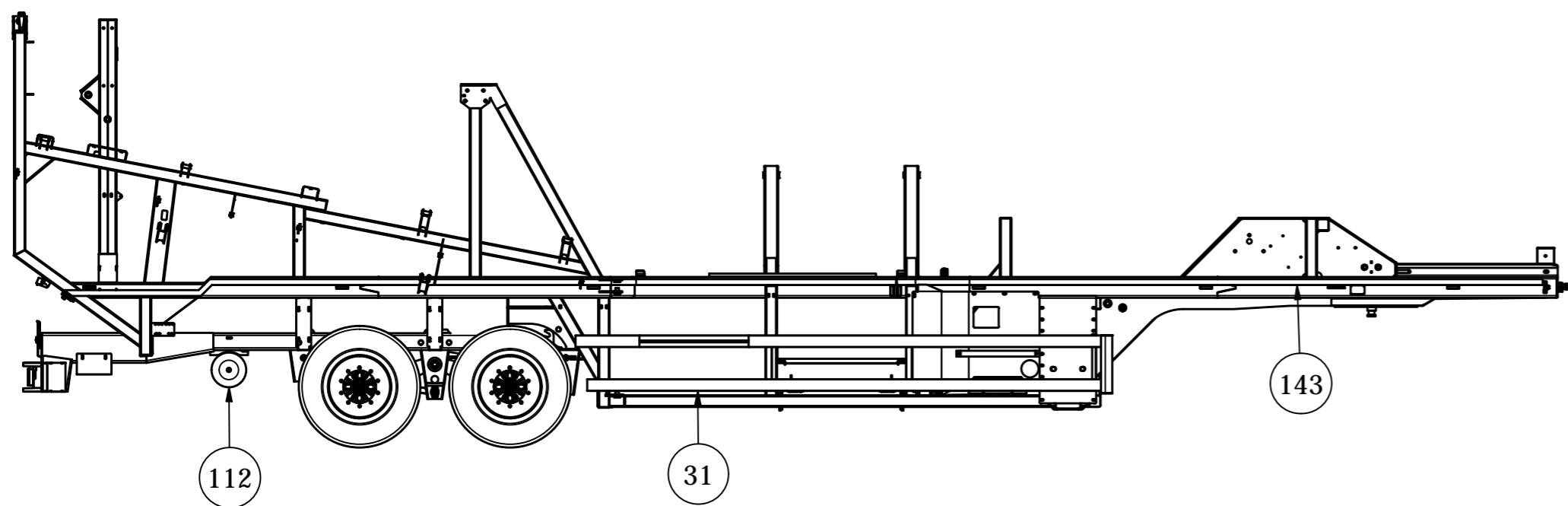
Equipment	Type approval number	Make	Model	Number	Colour
Side marker lamp	E4-91R-00 24124	Ermax	26276A-V	12	Amber
	SM1-E9-00 6355	Ermax	FR 2425	4	Amber
Side retro reflector	E4-3R-02 24124	Ermax	26276A-V	12	Amber
Front position lamp	E4-7R-02 24122	Ermax	26276C-V	2	White
Front retro reflector	E4-3R-02 24122	Ermax	26276C-V	2	White
Rear position lamp	E9-7R02/27-22697	Ermax	066-WMC7F	2	Red
License plate lamp	E6-04R00/19*0133*02	Ermax	0982543	2	White
Rear fog lamp	E9-38R00/19-22697	Ermax	066-WMC7F	2	Red
Stop light	E9-7R02/27-22697	Ermax	066-WMC7F	2	Red
Direction indicator lamp	E9-6R01/29-22697	Ermax	066-WMC7F	2	Amber
Reversing lamp	E9-23R00/22-22697	Ermax	066-WMC7F	2	White
End outline marker lamp	A-E9-02 6355	Ermax	FR 2425	4	White
	R1-E9-02 6355			4	Red
Rear retro reflector, triangular	E9-3R02/17-22697	Ermax	066-WMC7F	2	Red
Conspicuity markings	E4-104R-00 0001	Reflexite	C/D/E	-	Yellow/Red

Appendixes

Appendix 1 – Drawing ingoing components

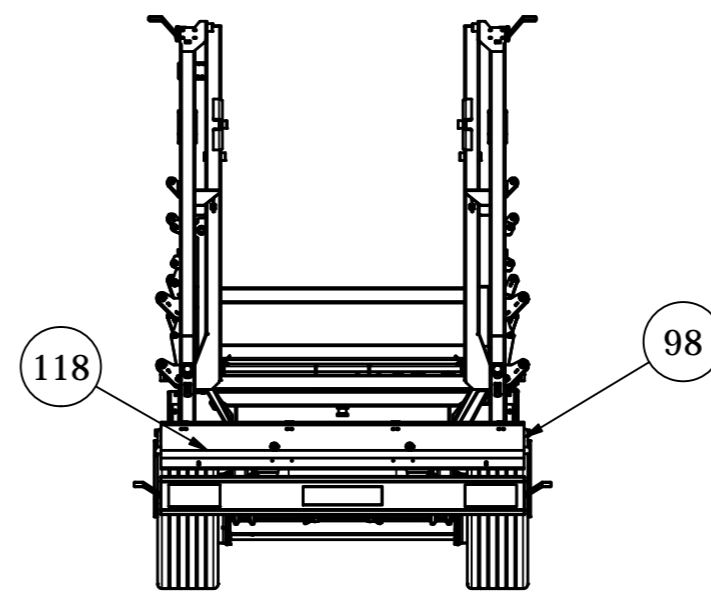
Appendix 2 – Drawing lightning system

Appendix 3 – Drawing pneumatic schematic

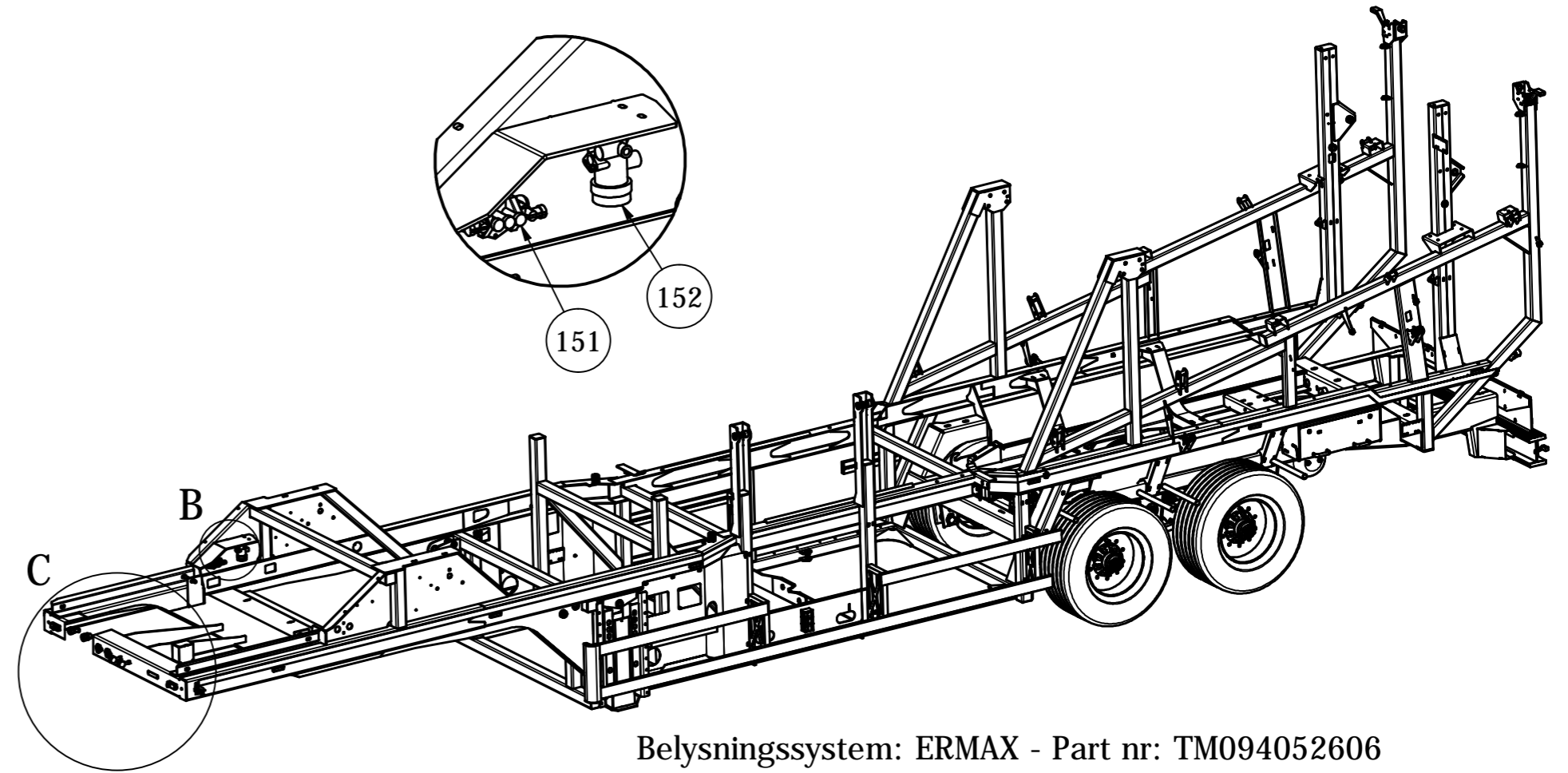
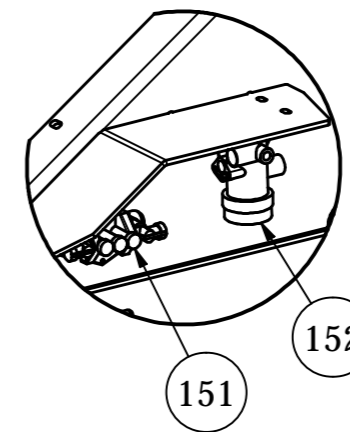


A (1 : 7)

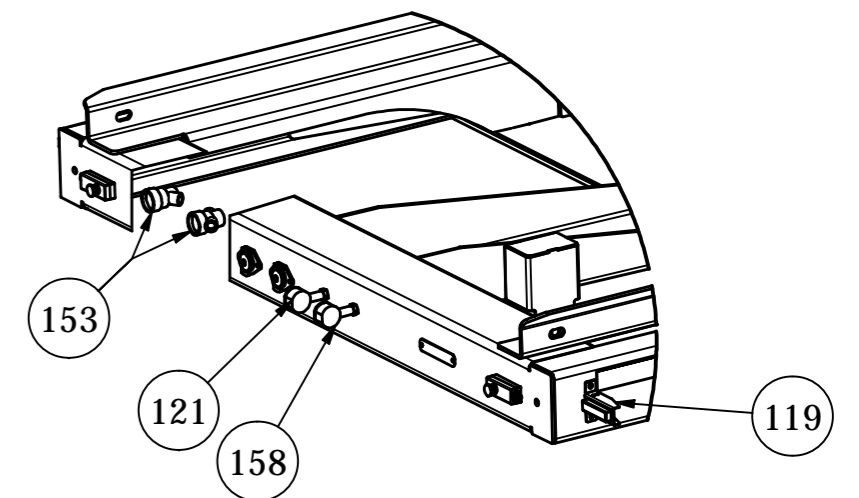
Generella toleranser
ISO 2768-m



B (1 : 12)



C (1 : 18)



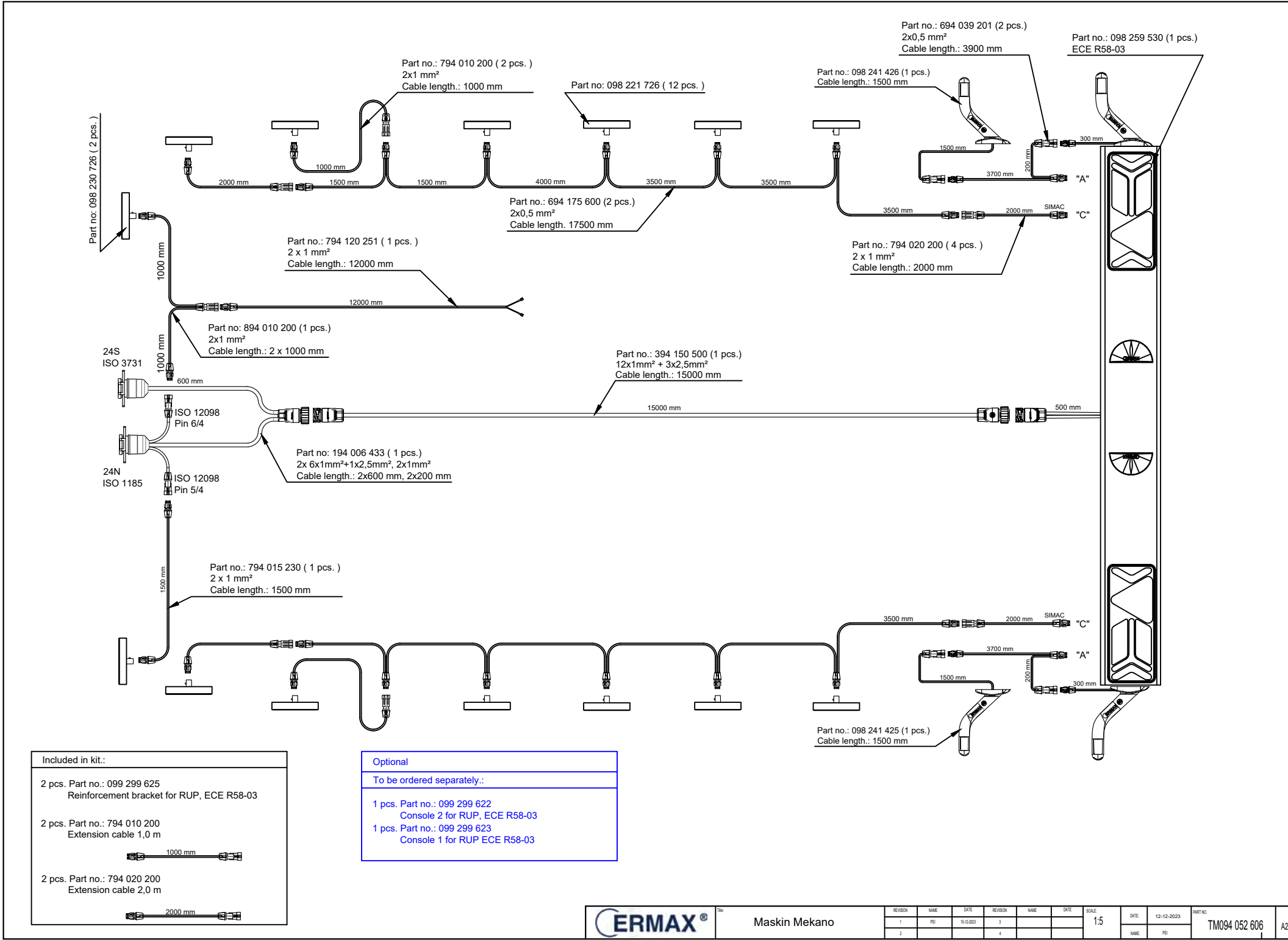
Belysningsystem: ERMAX - Part nr: TM094052606

158	1	Clutch hub Yellow M16X1,5 M.	WABCO	9522010010
157	1	TC Trailer Gateway BASIC	Idem Telematics	0216010069
156	1	Quick release valve	WABCO	9735000510
155	4	Spring brake cylinder 24/30	WABCO	4637030360
153	2	Wire filter M22x1,5	PE	076948-00
152	1	Trailer brake valve	WABCO	9710020200
151	1	Parking brake valve, Black	WABCO	9630010510
148	4	Wheel	Goodyear	385/65R 22.5 Ultra grip max T HL TL 164K
143	2	Reflective tape, Yellow	ORAFOL	VC104+ RG Yellow
121	1	Clutch hub, Red M16X1,5 M.	WABCO	9522010020
119	2	Position light holder	Maskin Mekano	25808
118	1	Reflective tape, Red	ORAFOL	VC104+ RG RED
112	1	Air tank 60L	WABCO	4005000810
98	1	Lower ramp lightning protection	Maskin Mekano	25378
51	1	Wheel axles	BPW	BPW trailer axle HSF 11810-17
31	1	Underrun protection sides ECO 6	Maskin Mekano	25704
Det. nr	Antal	Benämning	Fabrikat	Art nr

maskin mekano		Article no.	Mass (kg)	Date	Scale
		77044	1	2024-03-15	
Designer	Drawn by	View	Title	File name	A2
Joavid	Aleabr		ECO 6	B20523_Fordon.dwg	
Checked	Approved	Rev.	ECO 6	Draw. no.	Sheet
		-		B20523	1 / 1

Cable length tolerance for cables with T and Z-pole connectors
 Length up to 1 meter
 Tolerance: ±40mm
 Length from 1.01 meter to 5 meter
 Tolerance: ±60mm
 Length over 5.01 meter
 Tolerance: Cable length ±2%

Cable length tolerance for cables with S-pole connectors
 Length up to 1 meter
 Tolerance: ±40mm
 Length from 1.01 meter to 5 meter
 Tolerance: ±60mm
 Length over 5.01 meter
 Tolerance: Cable length ±2%



Part no.: 098 230 726 (2 pcs.)

Part no.: 794 010 200 (2 pcs.)
 2x1 mm²
 Cable length.: 1000 mm

Part no.: 098 221 726 (12 pcs.)

Part no.: 098 241 426 (1 pcs.)
 Cable length.: 1500 mm

Part no.: 694 039 201 (2 pcs.)
 2x0,5 mm²
 Cable length.: 3900 mm

Part no.: 098 259 530 (1 pcs.)
 ECE R58-03

Part no.: 694 175 600 (2 pcs.)
 2x0,5 mm²
 Cable length.: 17500 mm

Part no.: 794 120 251 (1 pcs.)
 2 x 1 mm²
 Cable length.: 12000 mm

Part no.: 794 020 200 (4 pcs.)
 2 x 1 mm²
 Cable length.: 2000 mm

Part no.: 894 010 200 (1 pcs.)
 2x1 mm²
 Cable length.: 2 x 1000 mm

Part no.: 394 150 500 (1 pcs.)
 12x1mm² + 3x2,5mm²
 Cable length.: 15000 mm

Part no.: 194 006 433 (1 pcs.)
 2x 6x1mm²+1x2,5mm², 2x1mm²
 Cable length.: 2x600 mm, 2x200 mm

Part no.: 794 015 230 (1 pcs.)
 2 x 1 mm²
 Cable length.: 1500 mm

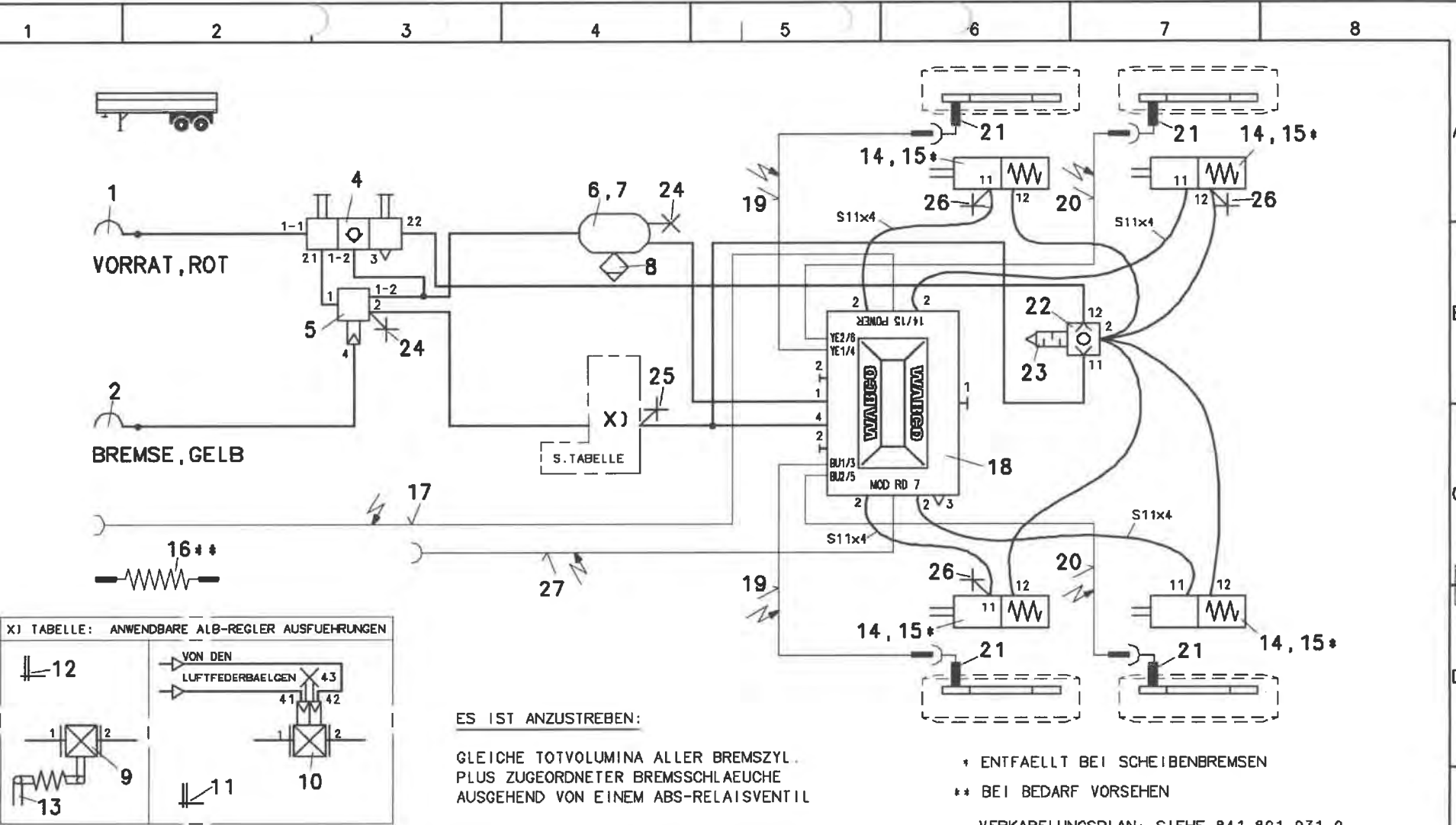
Part no.: 098 241 425 (1 pcs.)
 Cable length.: 1500 mm

- Included in kit:**
- 2 pcs. Part no.: 099 299 625
Reinforcement bracket for RUP, ECE R58-03
 - 2 pcs. Part no.: 794 010 200
Extension cable 1,0 m
 - 2 pcs. Part no.: 794 020 200
Extension cable 2,0 m

- Optional**
- To be ordered separately.:
- 1 pcs. Part no.: 099 299 622
Console 2 for RUP, ECE R58-03
 - 1 pcs. Part no.: 099 299 623
Console 1 for RUP ECE R58-03

NON E' PERMESSO CONSERVARE A TERZI O RIPRODURRE QUESTO DOCUMENTO, NE UTILIZZARNE IL CONTENUTO O REH-
 DELLO CONSUMATORE, NOTO A TERZI, SENZA AUTORIZZAZIONE ESPLICITA, OGNI INFRAZIONE COSTITUISCE UN EVDENTE
 BREVIETI O MODELLI. IL RISPETTAMENTO DEI DIRITTI SOTTILI, E' PATA, RISERVA DI TUTTI I DIRITTI DERIVANTI DA
 COPIING OF THIS DOCUMENT, AND GIVING IT TO OTHERS AND THE USE OR COMMUNICATION OF THE CONTENTS THEREOF
 ARE FORBIDDEN WITHOUT EXPRESS AUTHORITY. CONTRAVENTION OF THIS RESTRICTION WILL CONSTITUTE AN EVIDENT
 BREVIET OR PATENT OR REGISTRATION OF A UTILITY MODEL OR DESIGN. THIS DOCUMENT IS THE SUBJECT OF COPYRIGHT.

TOUTE COMMUNICATION OU REPRODUCTION DE CE DOCUMENT, TOUTE EXPLOITATION OU COMMUNICATION DE SON CONTE-
 NU SONT INTERDITES SAUF AUTORISATION EXPRESSE. L'UTILISATION DE CE DOCUMENT PAR UN TERTIEN, SANS
 L'AUTORISATION EXPRESSE DE WABCO, CONSTITUE UNE VIOLATION DES DROITS DE PROPRIETE
 INDUSTRIELLE ET DES DROITS DE BREVETS ET DE MODELES.
 WEITERE SOWIE VERLEIHEIT (AUCH UNTERLAGE, VERKLEBUNG UND MITTEILUNG IHRES INHALTS NICHT
 GESATZLICH, SOWIE WIDERT AUSAUSKUNFT ZUM ZWECKEN DER ZUR BEWERTUNG VON ZUM BEWERTEN ZUM BEWERTEN ZUM BEWERTEN
 GEBRAUCHSWEITER-ENTWICKLUNG VORZUBEREITEN. ALLE RECHTE FÜR DEN FALL DER PATENTIERUNG ODER



X) TABELLE: ANWENDBARE ALB-REGLER AUSFUEHRUNGEN

VON DEN LUFTFEDERBAELGEN		

ES IST ANZUSTREBEN:
 GLEICHE TOTVOLUMINA ALLER BREMSZYL.
 PLUS ZUGEORDNETER BREMSSCHLAUCHE
 AUSGEHEND VON EINEM ABS-RELAISVENTIL

+ ENTFALLT BEI SCHEIBENBREMSEN
 ** BEI BEDARF VORSEHEN
 VERKABELUNGSPLAN: SIEHE 841 801 931 0
 ODER/UND 841 801 932 0

RS.	DENOMINATION	PRODUCT IDENTIFICATION NO.	PGS.	PCS.	DENOMINATION	PRODUCT IDENTIFICATION NO.
15	4 BEIPACK	423 903 532 2				
14	4 TRISTOPZYLINDER	925 0				
13	1 ANLENKUNG FUER ALB	433 401 004 0				
12	1 SCHILD*E INSTELLW. ALB	MECH. X1 899 144 630 4	27	1	ABS-DIAGNOSEKABEL	449 615 0 0 D
11	1 SCHILD*E INSTELLW. ALB	LUFT X1 899 144 631 4	26	3	PRUEFANSCHLUSS	463 703 036 0
10	1 ALB-REGLER M. INTEGR.	PRUEFVENTIL X1 475 714 5 . . . 0	25	1	PRUEFANSCHLUSS	463 703 120 0
9	1 ALB-REGLER M. INTEGR.	FEDERUNGSK. X1 475 713 50 . . . 0	24	2	PRUEFANSCHLUSS	463 703 115 0
8	1 ENTWASSERUNGSVENTIL	934 300 001 0	23	1	GERAEUSCHDAEMPFER	432 407 060 0
7	2 SPANNBAND	451 999 2	22	1	ZWEIWEGE-SCHNELL.V.	973 500 051 0
6	1 LUFTBEHAELTER	950 0	21	4	ABS-SENSOR	441 032 . . . 0
5	1 ANH.-BREMSVENTIL	971 002 0	20	2	VERLAENGERUNGSKABEL	FUER SENSOR 449 712 . . . 0
4	1 DOPPELDESEVENTIL	963 001 05 . . . 0	19	2	VERLAENGERUNGSKABEL	FUER SENSOR 449 712 . . . 0
3				18	VCS2-ANH.-MODULATOR	24V 400 500 081 0
2	1 KUPPLUNGSKOPF M. INT.	LEITUNGSFILTER 952 201 001 0	17	1	ABS-VERSORGUNGSKABEL	24V 449 1 0
1	1 KUPPLUNGSKOPF M. INT.	LEITUNGSFILTER 952 201 002 0	16	1	ABS-ELEKTROWENDEL	24V ** 446 008 . . . 0

CADAM-DRAWING COPYRIGHT		WABCO	
DATE	SIGNATURE	ZWEILEITUNGS- DRUCKLUFTBREMSANLAGE	
03-01-21	APITHY	FUER 2-ACHS-SATTELANHAENGER MIT ABS VCS2 4S/2M	
CHECKED		ALB-REGLER, WW.MECH./LUFT	
03-01-21	CHRO/RUMPF		
STANDARDIZATION			
T.R.I.	PRODUCT IDENTIFICATION NO.		
171	841 700 981 0		CODE FOR DOCUMENT SHEET
SIZE	A 3		502 01
CODE FOR FUNCTION	2103	CODE FOR SHAPE	REPLACEMENT FOR